

GOING FUTURE TODAY.



OHPA series

Optical High Power Amplifiers



Operating Manual

Contents

Before starting operation of the device.....	page 03
Symbols and conventions used.....	page 03
Proper use.....	page 03
Target group for this manual.....	page 04
Device description.....	page 04
Important safety information.....	page 06
Description of performance.....	page 08
Warranty conditions.....	page 08
Disposal.....	page 08
Installing the device.....	page 09
LC display and settings	page 11
Configuring the device via web interface.....	page 16
SNMP interface	page 19
Troubleshooting.....	page 20
Maintenance and repair.....	page 21
Service tasks	page 21
Block diagram.....	page 22
Technical data	page 23

Before starting operation of the device

HINWEIS: Read this operating manual attentively! It contains important information about installation, ambient conditions and maintenance of the device. Keep this operating manual for future use and for handover in the event of a change of owner. A PDF version of this manual is available to download on the ASTRO website (there may be a more recent version).

The ASTRO company confirms that the information in this manual was correct at the time of printing, but it reserves the right to make changes, without prior notice, to the specifications, the operation of the device and the operating manual.

Symbols and conventions used

Symbols used in these instructions

Pictograms are visual symbols with specific meanings. You will encounter the following pictograms in this installation and operating manual:



Warning about situations in which electrical voltage and non-observance of the instructions in this manual pose a risk of fatal injuries.



Warning about various dangers to health, the environment and material.



Warning about thermal dangers (risk of burns).



Warning about high laser radiation emitted from a device, connector or adapter (risk of eye damage).



Recycling symbol: indicates components or packaging materials which can be recycled (cardboard, inserts, plastic film and bags). Used batteries must be disposed of at approved recycling points. Batteries must be completely discharged before being disposed of.



This symbol indicates components which must not be disposed of with household rubbish.

Proper use

The OHPA module can only be used as a booster amplifier for analogue modulated TV and Data services signals in optical fibre networks.

Modification of the devices or use for any other purpose is not permitted, and will immediately void any guarantee provided by the manufacturer.

Target group of this manual

Installation and starting operation

The target group for installation and starting operation of the ASTRO optical transmission technology are qualified experts who have training enabling them to perform the work required in accordance with EN 60728-11 and EN 60065. Unqualified person are not allowed to install and start operation of the device.

Device configuration

Target group for the configuration of the ASTRO transmitters are persons who have received instructions and have training enabling them to perform a configuration. Knowledge of EN 60728-11 and EN 60065 is not necessary for configuration.

Device description

The delivery consists of the following parts:

- OHPA or OHPA-WDM high power amplifier
- Operating manual

Front:

- [1] optical input connector (always clean patchcord before connection)
- [2] optical output connector (always clean patchcord before connection)
- [3] indication LEDs (power, AGC, RF input signal, laser)
- [4] push buttons
- [5] LC display for information and control
- [6] key lock (laser off/on)

Front WDM version:

- [1] optical input connector
- [2] optical output connector
- [3] opal connection for GPON/GEAPON (SC/PC or LC/PC)
- [4] indication LEDs (power, AGC, RF input signal, laser)
- [5] RF testport (optional)
- [6] push buttons
- [7] LC display for information and control
- [8] key lock (laser off/on)

Back:

- [7] fans
- [8] RS232 (only for R & D purposes)
- [9] LAN interface
- [10] dual hot plug power supplies
- [11] grounding connection

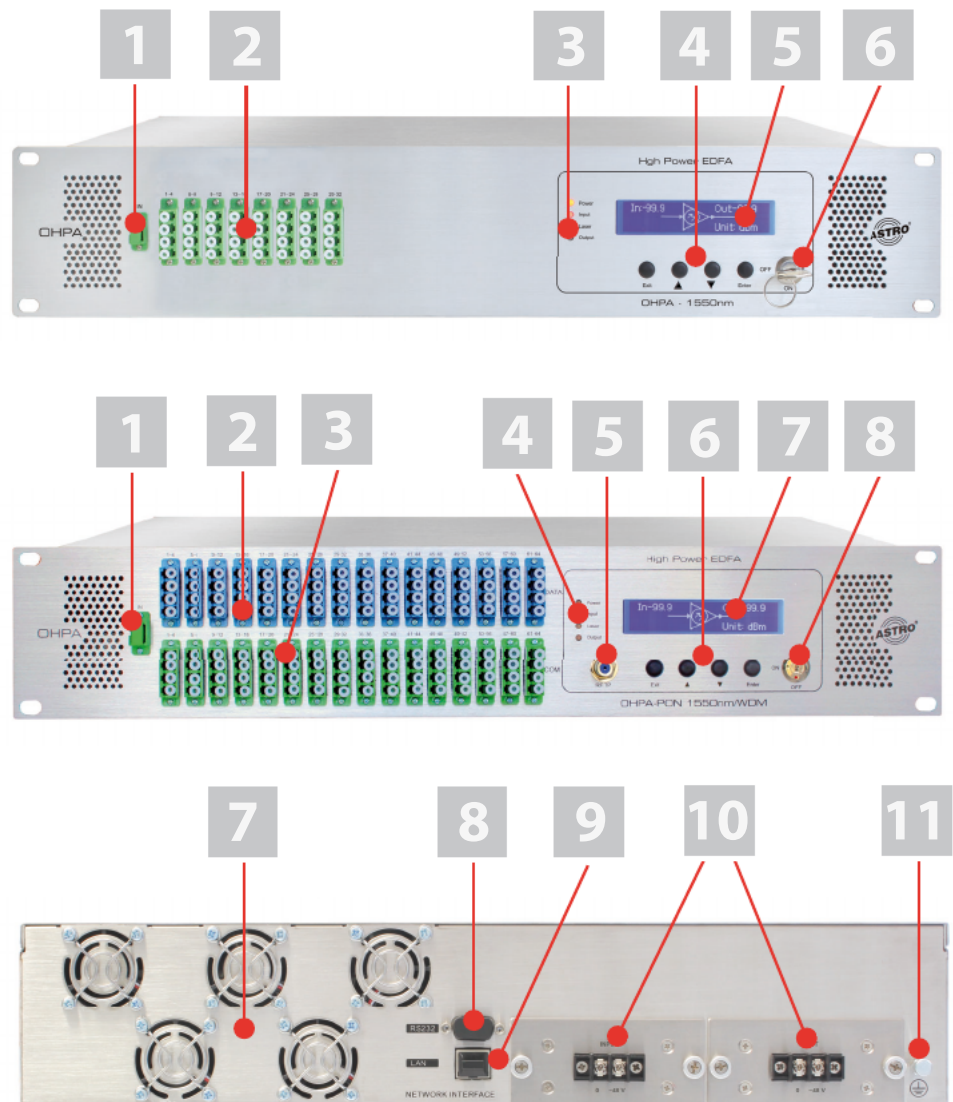


Figure 1: OHPA front and rear side



Prior to connecting/disconnecting any of the output ports, make sure that the laser is switched off either by key lock or by disconnection of the input fibre cable to avoid burn in of the optical surfaces of the connection.

LED indicators

- Power LED:
yellow: only one working power supply
green: both power supplies working in good condition
- Input :
green: when optical input > -10dBm detected
off: no optical input detected
- Laser:
off: laser switched off (via keylock or via setting)
green: laser pumps working state is normal
flashing red: laser pump serious problem, see alarm information panel for more details
red: laser pump not working, see alarm information panel for more details
- Output :
off: output power is below +10dBm
green: output power is > +10dBm

The device can be equipped with either AC power supplies or DC power supplies (see figure below).

- [1] power cord connection (150 - 250 VAC)
- [2] fuse holder with one spare fuse inside (fuse type: T3.15 A/250 V)
- [3] manual power switch
- [4] to remove the hot plug power supply, first open the screws on the left and right side of the power supply unit

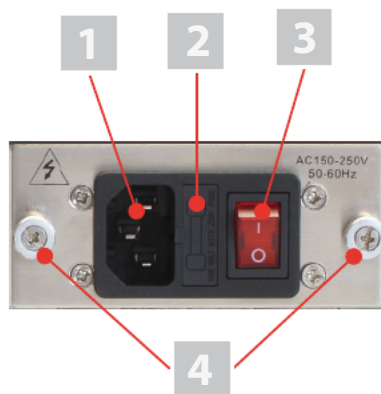


Figure 2: AC power supply (rear side)

- [1] 0 VDC connection
- [2] -48 VDC connection
- [3] to remove the hot plug power supply, first open the screws on the left and right side of the power supply unit

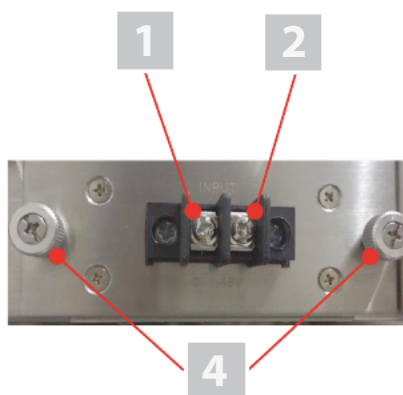


Figure 3: DC power supply (rear side)

External breaker shall be T3.0A (time delay fuse with 3.0 Amps)



The OHPA module features a CE marking. This confirms that the product conforms to the relevant EC directives and adheres to the requirements specified therein.

Important safety information

To avoid any hazardous situations to the extent possible, you must adhere to the following safety information:

ACHTUNG: *Failure to observe this safety information may result in personal injury due to electrical and thermal dangers!*

Proper use

- Only use the device at the approved operating sites and in the ambient conditions allowed (as described in the following), and only for the purpose described in the section "Proper use".

Before starting operation of the device

HINWEIS: *Read this operating manual attentively! It contains important information about installation, ambient conditions and maintenance of the device. Keep this operating manual for future use and for handover in the event of a change of owner or operator. A PDF version of this manual is available to download on the ASTRO website (there may be a more recent version).*

- Check the packaging and the device for transport damage immediately. Do not start operation of a device that has been damaged.
- Transporting the device by the power cable may damage the mains cable or the strain relief, and is therefore not permitted.

Danger of optical radiation

This product is laser class 1M (according IEC 60825-1 Safety of Laser Products) and therefore several safety precautions must be applied.

- Exposure to class 1M laser radiation is possible on open connectors or connected fibre patch cords. Do not view exposed fibre or connector ends when handling or maintaining optical equipment. Do not view with optical instruments into open connectors or fibre ends on switched on devices. Make sure all wherever a fibre inspection is required, that the inspected fibre or connector is completely optical radiation free.
- Due to the high optical radiation and improper handling of optical fibre connections and devices, there could be risks for the operating and service personnel. Access should be restricted to trained personnel only.
- Never look directly or with optical inspection tools into the end of a fibre which is connected to a transmitter or optical amplifier and which is in operation. If the eyes are exposed to optical radiation, which are above the acceptable maximum, this could cause permanent damage to the eye.

Installation, operation, maintenance

- The device may only be installed and operated by qualified persons (in accordance with EN 60065) or by persons who have been instructed by qualified persons. Maintenance work may only be carried out by qualified service personnel.
- The installation site must be planned in a way that prevents children from playing with the device and its connections.
- Dangerous voltages and the threat of optical laser radiation are present within the powered on unit at all times.
- Always replace protective caps on optical connectors and patch cords when not in use to avoid dust intake. Before connecting clean connectors with lint free cloth and pure alcohol or with any professional tools for cleaning connectors and adapters. The typical connectors fitted are SC/APC 8° or LC/APC 8° (green couplers).
- The electrical connection conditions must correspond to the specifications on the device type plate.
- The ambient temperatures specified in the technical data must be complied with, even when climatic conditions change (e.g. due to sunlight). If the device overheats, the insulation used to isolate the mains voltage may be damaged.
- The device and its cable may only be operated away from radiant heat and other sources of heat.
- To avoid trapped heat, ensure there is good ventilation on all sides. Installing the device in recesses or covering the installation location, e.g. with curtains, is not permitted. Ventilation openings may not be covered.
- If the device is installed in a cabinet, ensure adequate air convection is possible to avoid exceeding the maximum ambient temperature permitted for the device.





- No objects may be placed on the device.
- The subscriber network must be earthed in accordance with EN 60728-11, and must remain earthed even when the device is removed. Furthermore, the earth connection on the device can be used. Devices within hand's reach must be integrated into the potential equalisation together. Operating the device without an earth conductor, without earthing the device or without using device potential equalisation is not permitted.
- The device does not feature protection against water and may therefore only be operated and connected in dry rooms. It must not be exposed to spraying or dripping water, to condensation, or to similar sources of moisture.
- The electrical system supplying current to the device, e.g. a house installation, must incorporate safety devices against excessive current, earth leakages and short-circuiting in accordance with EN 60950-1.
- To operate the device (protection class I), it must be connected to mains power sockets with a protective earth conductor.
- All adhere to all applicable national safety regulations and standards.
- The mains plug is used as a mains voltage disconnect unit in the event of servicing and danger, and must therefore be accessible and be able to be operated at any time. The device is operational when connected to the mains power.
- Excess mechanical loads (e.g. falling, impacts, vibrations) may damage insulation used to provide protection from mains voltage.
- High excess currents (lightning strike, surges in the power utility grid) may damage insulation used to provide protection from mains voltage.
- Do not insert any objects through the ventilation slots.
- If there is no information about intended use (e.g. operating site, ambient conditions), or the operating manual does not include the corresponding information, then you must consult the manufacturer of this device to ensure that the device may be installed. If you do not receive any information on this from the manufacturer, do not start operating the device.



Maintenance

- The operating display only shows whether the DC current, which supplies the device components, has been disconnected. However, operating displays (on the power supply unit or the device) that are not lit up in no way indicate that the device is completely disconnected from the mains.
- Read carefully: EN 60728 - Part 1 Safety requirements: No service work during thunderstorms.

Repair

- Repairs may only be performed by the manufacturer. Improperly performed repairs may result in considerable dangers for the user.
- If malfunctions occur, the device must be disconnected from the mains and authorised experts must be consulted. The device may need to be sent to the manufacturer.

Description of performance

The Optical High Power Amplifier OHPA is an ErYb cladding pumped optical booster amplifier with up to 64 optical output ports. The housing style is 19" 1 HU or 2 HU stand alone, with redundant power supplies.

The amplifier is available with different output port configurations such as 4, 8, 16, 32 or 64 ports. Each port typically provides 16dBm, 17dBm, 19dBm or 20dBm optical output power. The wavelength of the output signal is typically around 1550nm (+/- 10nm).

The WDM version provides built in WDM filters 1310/1490 nm so that the GPON/GEAPON data equipment can be connected to the optical amplifier directly without any requirement of external devices. The filter combines the 1310/1490 nm with the amplified 1550 nm, used for CATV applications.

Optical high power amplifiers, also called Multiport EDFAs are typically used for FTTH networks, where the optical 1550nm modulated Broadcast signal needs to be distributed to a large number of homes. This kind of optical amplifier is normally the last active device before the subscriber devices, such as FTTH optical receivers for CATV applications and GPON/GEAPON ONUs.

Features

- 19", 1-HU or 2-HU rack mounted 1550nm optical amplifier
- various outputs port fan outs and optical powers
- ErYb doped double-clad technology
- low noise figure
- only WDM version: WDM filter 1310/1490 nm + 1550 nm to combine DATA and CATV wavelength inside the device
- Telco grade lifetime >10 years
- SNMP / Web-Interface / LCD panel
- 2x hot plug power supplies AC or DC

Applications

- distribution amplifier for HFC & FTTH networks forward path transmission
- PON and PtP FTTH networks with RF overlay
- only WDM version: RF + G(E)PON services combined on one single fibre for delivering triple play
- forward path optical amplification of TV broadcast in RFOG networks

Warranty conditions

The general terms and conditions of ASTRO Bit GmbH apply. You will find these in the current catalogue or on the Internet under "www.astro-kom.de".

Disposal

All of our packaging material (cardboard boxes, inserts, plastic film and bags) is completely recyclable. Electronic devices must not be disposed of with household waste, but rather – according to DIRECTIVE 2012/19/EC OF THE EUROPEAN PARLIAMENT AND OF THE COUNCIL from 4 July 2012, on waste electrical and electronic equipment – must be properly disposed of. When it is no longer of use, please bring the device for disposal to one of the public collection points for this purpose.

ASTRO Bit is a member of the Elektro system solution for the disposal of packaging materials. Our contract number is 80395.



Installing the device

To install or commission the device, please follow the steps in the sequence as mentioned below.

Mounting the device in the rack / grounding to protective earth

Mount the device in the 19" rack. Make sure that supporting bars or any shelf supports the device. Do not mount solely on the front panel.

After physical installation in the rack, connect the protective earth cable (PE) to one of the device grounding points, with an appropriate eyelet connection. 2 grounding screws on the rear side of the device are marked with the grounding symbol.

Attach power cord

Make sure that the key lock on the front is in position "off" before switching on the device. For mains power supply the power on switch is located beside the mains connector. If the power switch is not showing any light, please check the fuse next to the power switch for damage.

In case of DC Voltage connect the supply cables to the power supply. Make sure to connect the cables with the right polarity and the sufficient diameter.

Check optical input level range

Check before connecting to the device the optical level with an optical power meter. Recommended optical input power is 0dBm to +3dBm for best performance. Before connecting the optical input port, clean the patch cord to avoid dust in the optical connection.

Connect the output before switching on with key lock

To prevent a possible damage to the surface of the optical output connectors, it is recommended to connect the optical patch cords to the output before the device is turned on with the key lock.

***HINWEIS:** If there is the need to connect any optical connector to the output ports, switch off the laser by any of the 3 different possibilities:*

- with key lock turn to off position (preferred solution !)
- switch off the complete device at the power supply
- remove the input fibre connection, in that case the laser will switch off

Never make any optical connection on ports, where you are not sure about the optical powers. Optical powers >16 dBm may cause burn-in of the surface of the optical connection, if plugged under optical power. This connection is permanently not usable anymore, since burned connectors will have a very high attenuation.

If there is the need to test on optical output ports, make sure that the laser of the optical amplifier is off, before connection of the optical power meter. After connection established, switch on the laser again. Another method is testing after the subsequent optical splitter (normally there is a lower optical power). In any case check your optical power meter for the correct wavelength setting and make sure the optical power of the amplifier is in the correct working range of your test device.

Switching on the transmitter with key lock

If the key lock is in position off, there is no entering with the push buttons on the front possible. By pressing the „Exit“ or „Enter“ button the LED display will lighten up. In order to protect the device, there is a time-delay function to switch it on. After turning the device on with the key lock On/Off switch, the amplifier will start to operate after about 15 to 20 seconds. The delayed power on sequence is required due to safety reasons.

Check on LC Display if any alarm

To ensure that the device is running properly, it is possible to show the device menu options on the LCD panel by pressing the „Enter“ button. Under “3. Alarm status” (selected with the down button and confirmed with the „Enter“ button) the actual present alarms can be displayed. To exit the menu, press the „Exit“ button until reaching the main display.

In case of device problem

In case of any problems please contact ASTRO Bit GmbH or resend the device with the established valid RMA Procedure (RMA code/ Error description).

LC display and settings

Using the push buttons

When pressing the “Enter” button for short time, this will light up the display and show the different menus which are selectable with the up and down button. The selected menu can be entered by pressing “Enter”. To exit a menu you must press the “Exit” button. To modify any value, use the up and down button and confirm the selected value by pressing “Enter”. In case the field shall not be modified, you may exit with the “Exit” button.

- up button: increase the parameter value
- down button: decrease the parameter value

LCD panel menus

The following flow chart shows the different screens that can be seen when stepping through the different menus:

- Boot display (start screen): At power up of the device the status information about the device is shown. There is a start up delay of several seconds before the laser pump switches on.
- Display parameters: display the parameters of the device
- Set parameters: set or change the parameters of the device
- Alarm status: shows the current present alarms of the device

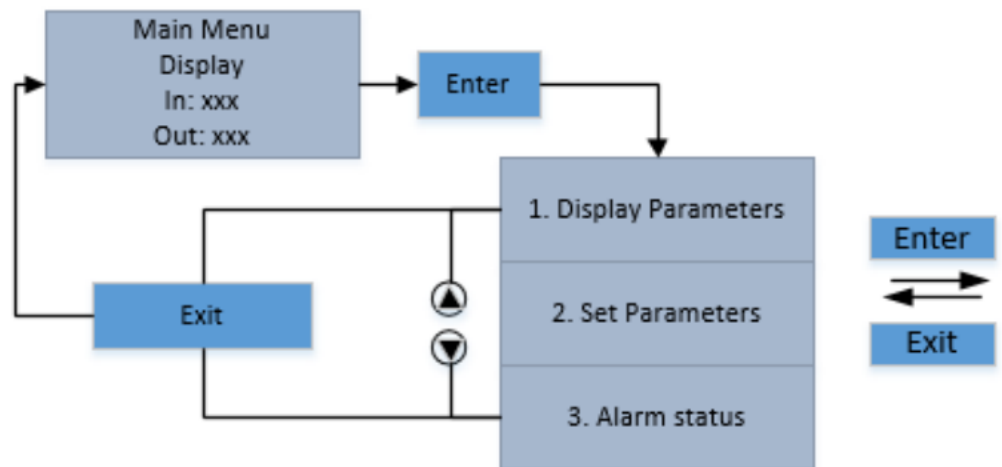


Figure 4: LCD panel



The „Display parameters“ menu

The following flow chart shows the different parameters, that can be edited via the front panel display:

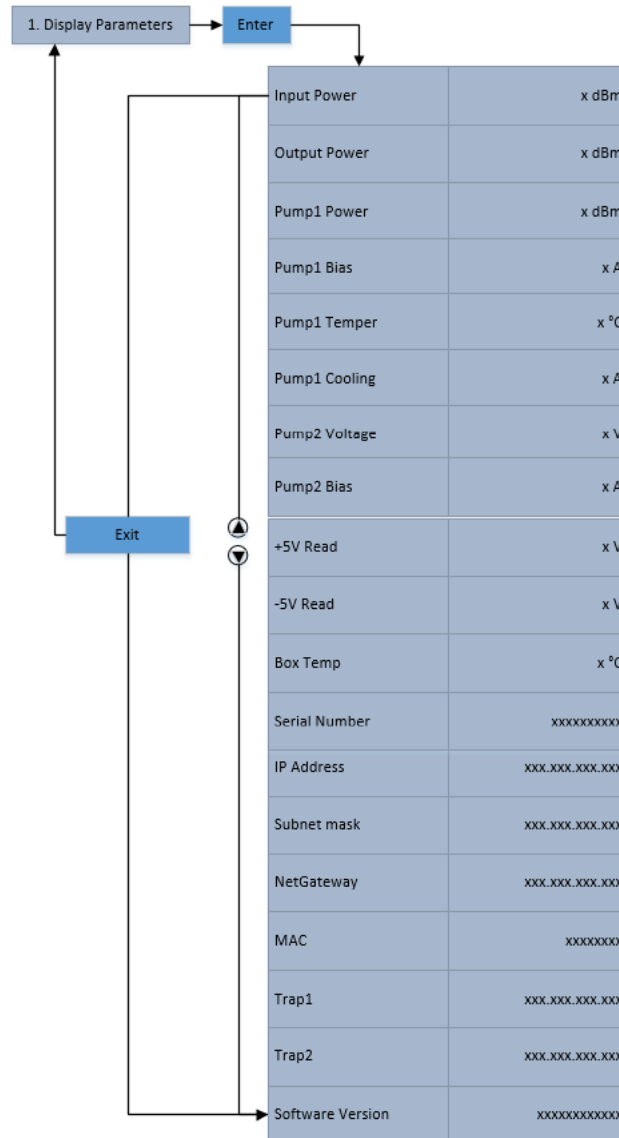


Figure 5: „Display parameters“ menu

- Input Power: displays the optical input power; if no optical input power is detected -99.9 dBm is displayed
- Output Power: displays the optical output power of the device
- Pump 1 Power: shows the optical power of laser pump 1
- Pump 1 Bias: shows the bias current of laser pump 1
- Pump 1 Temper: displays the temperature of laser pump 1
- Pump 1 Cooling: shows information about the TEC cooling current for laser pump 1
- Pump 2 Voltage: shows information about the voltage supply for laser pump 2
- Pump 2 Bias: shows the bias current of laser pump 2
- +5 V Read: monitoring of +5 VDC power
- 5 V Read: monitoring of -5 VDC power
- Box Temp: inner housing temperature of the device

- Serial Number: serial number of the device
- IP Address: the IP address configured for the device
- Subnet Mask: the configured subnet mask of the device
- NetGateway: the configured gateway ip address of the device
- MAC: the MAC address of the ethernet interface of the device
- Trap1: IP address of trap receiver 1
- Trap2: IP address of trap receiver 2
- Software Version: version number

The „Modify parameters“ menu

The following figure shows the menu entries. Press Enter to show up a submenu for changing the value. Press Exit to exit the menu without changing the values. All changes can be confirmed by pressing Enter. You can change the entries by using the up and down buttons.

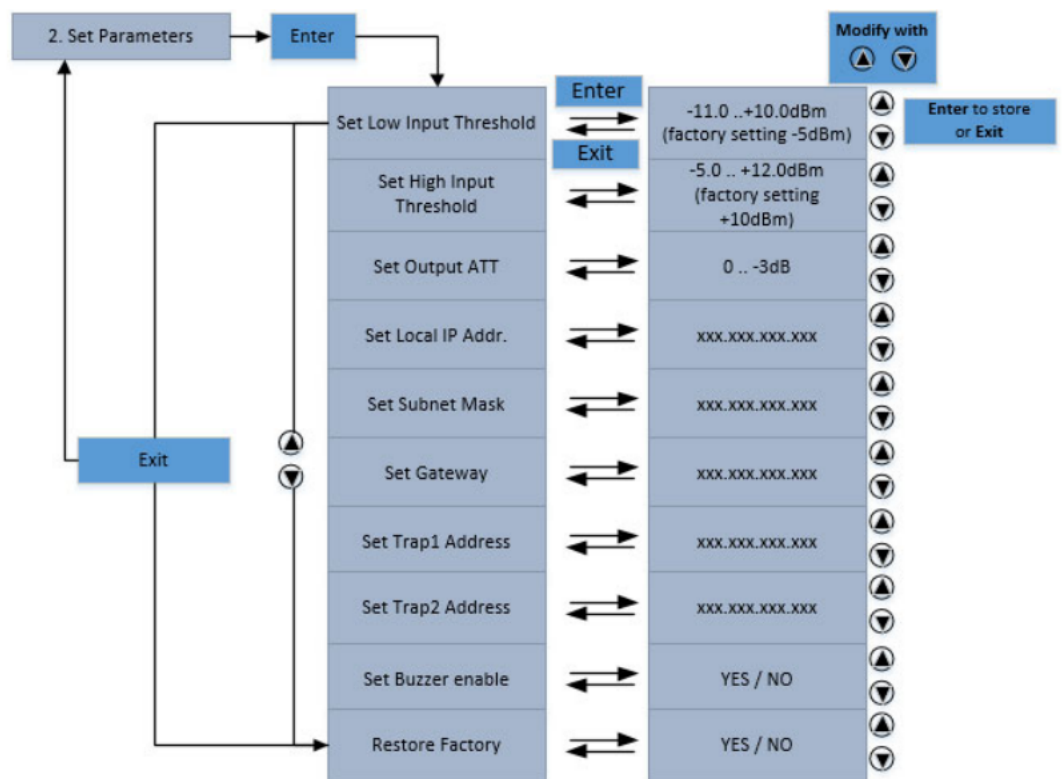


Figure 6: „Modify parameters“ menu

- Set Low Input Threshold: This parameter configures the low optical input alarming. Factory setting is -5 dBm . Note: Recommended optical input range is -3 ..+3dBm for best performance. (selectable values -11.0 dBm ..+10.0 dBm)
- Set High Input Threshold: This parameter configures the high optical input alarming. Factory setting is +10 dBm. Note: Recommended optical input range is -3 ..+3 dBm for best performance. (selectable values -5.0 dBm ..+12.0 dBm)
- Set Output Att: With this setting the optical output can be reduced up to 3 dB. (selectable values 0 ..-3 dB)

- Set Local IP Address: This parameter is the optical Amplifiers IP address for remote monitoring.
- Set Subnet Mask: This parameter is the device network mask.
- Set Gateway: This parameter is the gateway IP address.
- Set Laser: Switch the laser manually OFF or ON.
- Set IP Address: This parameter is the device IP address.
- Set Mask: This parameter is the device network mask.
- Set Trap1 Address: This parameter is the trap receiver one IP address.
- Set Trap2 Address: This parameter is the trap receiver two IP address.
- Set Buzzer: Switch on audible indication if the device shows an alarm. (ON / OFF)
- Restore Factory: restore factory settings

The „Alarm Status“ display

The following alarm messages are displayed:

- Input Status:
 - LOLOW: very low optical input detected
 - LOW: low optical input detected
 - HIGH: high optical input power detected
 - HIHIGH: very high optical input power detected
- Output Status:
 - LOLOW: very low optical output detected
 - LOW: low optical output detected
 - HIGH: high optical output power detected
 - HIHIGH: very high optical output power detected
- Pump X Power:
 - LOLOW: very low power of pump x detected
 - LOW: low power of pump x detected
 - HIGH: high power of pump x detected
 - HIHIGH: very high power of pump x detected
- Pump X Bias:
 - LOLOW: very low bias current of pump x detected
 - LOW: low bias current of pump x detected
 - HIGH: high bias current of pump x detected
 - HIHIGH: very high bias current of pump x detected
- Pump X Temper:
 - LOLOW: very low temperature of pump x detected
 - LOW: low temperature of pump x detected
 - HIGH: high temperature of pump x detected
 - HIHIGH: very high temperature of pump x detected
- Pump X TEC:
 - LOLOW: very low cooling current of pump x detected
 - LOW: low cooling current of pump x detected
 - HIGH: high cooling current of pump x detected
 - HIHIGH: very high cooling current of pump x detected
- +5 V Status:
 - LOLOW: very low +5 VDC internal voltage detected
 - LOW: low +5 VDC internal voltage detected
 - HIGH: high +5 VDC internal voltage detected
 - HIHIGH: very high +5 VDC internal voltage detected
- 5 V Status:
 - LOLOW: very low -5 VDC internal voltage detected
 - LOW: low -5 VDC internal voltage detected
 - HIGH: high -5 VDC internal voltage detected
 - HIHIGH: very high -5 VDC internal voltage detected

- Device Temper:
LOLOW: very low chassis temperature detected
LOW: low chassis temperature detected
HIGH: high chassis temperature detected
HIHIGH: very high chassis temperature detected

Configuring the device via web interface

Logging in

To login in the web interface, check first the IP address of the device. The device IP address could be set or viewed via the LCD front panel.

Connect your computer to the same IP subnet as the transmitter. With a ping test make sure that physical connection via the IP Network is obtained.

With any web browser you can type in the address line of the browser the IP address of the transmitter.

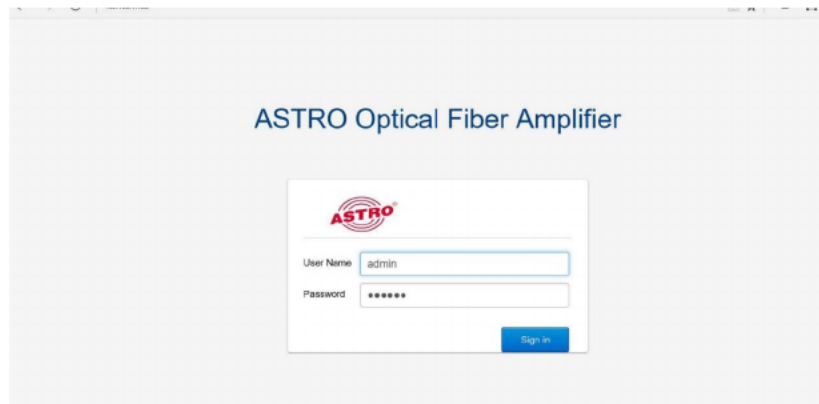


Figure 7: Login

Log in with the following data:

User name: admin

Password: 123456

Display parameters via web interface

On the „Display Parameters“ page the device status and data will be displayed, such as:

- device indication, software version, serial number and MAC address
- optical input power and output power
- laser information (bias, cooling, temperature)
- internal voltage information for the internal DC power generation
- device temperature

Module Parameter

Parameter	Value	Parameter	Value
Device Model:	OHPA-3219	Serial Number:	180624003904
Pump Number:	2	Input Power:	-99.9 dBm
Output Power:	-99.9 dBm	OutPut ATT:	0.0 dB
Pump1 Bias:	0 mA	Pump1 Temperature:	24.9 °C
Pump1 Cooling:	160 mA	Pump2 Bias:	0 mA
Pump2 Voltage:	2.2 V	+5V:	5.0 V
-5V:	-5.0 V	Device Temperature:	27 °C
MAC Address:	30-71-b2-43-46-f3		

Figure 8: Parameters displayed

Modify parameters via web interface

On the „Modify Parameters“ page the device setting can be changed.

Module Parameter

Parameter	Current Value	New Value	press for update
Output ATT:	0.0 dB	0 ▾ dB	Update

Ip Address Set

Parameter	Current Value	New Value	press for update
Static IP Address:	192.168.1.168	<input type="text"/> . <input type="text"/> . <input type="text"/> . <input type="text"/>	Update
Subnet Mask:	255.255.255.0	<input type="text"/> . <input type="text"/> . <input type="text"/> . <input type="text"/>	Update
Default Gateway:	192.168.1.1	<input type="text"/> . <input type="text"/> . <input type="text"/> . <input type="text"/>	Update
Trap Address1:	192.168.1.58	<input type="text"/> . <input type="text"/> . <input type="text"/> . <input type="text"/>	Update
Trap Address2:	192.168.1.89	<input type="text"/> . <input type="text"/> . <input type="text"/> . <input type="text"/>	Update

Figure 9: Modifying parameters

- Output Att: With this parameter the output power of the amplifier could be reduced between 0 ..3 dB in 0,5 dB steps. After changing this value only with pressing the update button the value will be saved.
- IP Address Set: All the device IP address settings can be changed in this menu. After changing one of the parameters by pressing the update button the value will be saved.

Active Alarms

The panel “Active Alarms” shows the current pending alarms.

Active Alarm Table

Time	Status	Description
2016-9-7,6:56:11.0,	LOLO	heOpAapInputPower
2016-9-7,6:56:11.0,	LOLO	heOpAapOutputPower
2016-9-7,6:56:11.0,	LOLO	heOpAapLaserOutputPower.1
2016-9-7,6:56:11.0,	LOLO	heOpAapLaserBiasCurrent.1
2016-9-7,6:56:11.0,	Major	heFAN
2016-9-7,6:56:11.0,	Major	LaserStatus
2016-9-7,6:56:11.0,	Minor	PowerNumber
2016-10-20,3:4:40.0,	LOLO	heOpAapLaserBiasCurrent.2
2016-10-20,3:4:46.0,	Nominal	heFAN

Figure 10: Active Alarms

Modifying the password

This panel is used to modify the user name or password. Type in the current user name and password to modify this.

Confirmation of the new password is required.

Change User Name and Password

Items	Value
Current User Name:	<input type="text"/>
Current Password :	<input type="text"/>
New User Name:	<input type="text"/>
New Password:	<input type="text"/>
Confirm Password:	<input type="text"/>
<input type="button" value="Modify"/>	

Figure 11: Modifying the password

SNMP interface

The device has the SCTE HMS standard SNMP interface implemented.

The HMS SNMP standard Mibs which are used in the device:

- SCTE-HMS-ALARMS-MIB
- SCTE-HMS-COMMON-MIB
- SCTE-HMS-HE-COMMON-MIB
- SCTE-HMS-HE-FAN-MIB
- SCTE-HMS-HE-OPTICAL-AMPLIFIER-MIB
- SCTE-HMS-HE-OPTICS-MIB
- SCTE-HMS-HE-POWER-SUPPLY-MIB
- SCTE-HMS-PROPERTY-MIB
- SCTE-HMS-PS-MIB
- SCTE-HMS-ROOTS
- SCTE-ROOT

Figure 11: standard Mibs

Traps will be sent to the configured trap receiver for following cases.

HINWEIS: Some traps will be sent when power is on the EDFA, which indicates, that the laser will start working. Normally the start up procedure will be finished when the laser status trap with nominal value will be received.

Alarm description	Trap description in HMS	Possible values
Status of optical input signal	heOpAmpInputPower	HIHI/HI/LOW/LOLO/Nominal
Status of optical laser output (Laser1 or Laser2)	heOpAmpOutputPower.1 heOpAmpOutputPower.2	HIHI/HI/LOW/LOLO/Nominal
Status of Laser Bias current (Laser1 or Laser2)	heOpAmpLaserBiasCurrent.1 heOpAmpLaserBiasCurrent.2	HIHI/HI/LOW/LOLO/Nominal
Status of LaserTemp (Laser1 or Laser2)	heOpAmpLaserTemp.1 heOpAmpLaserTemp.2	HIHI/HI/LOW/LOLO/Nominal
Status of internal voltage 1 and 2	hePsOutputVoltage.1 hePsOutputVoltage.2	HIHI/HI/LOW/LOLO/Nominal
Internal box temperature	heCommonTemperature	HIHI/HI/LOW/LOLO/Nominal
Fan defective event	heFAN	Minor
Status of Amplifier Laser	LaserStatus	Major / Nominal
One power supply not switched on or defective	PowerNumber	Minor

Figure 12: SNMP

Troubleshooting

If the device is not functioning correctly, please perform the following checks:

- Check whether the device is connected to the required mains voltage (230 V~, 50 Hz).
- Check whether the signal cable is connected correctly, and that there are no breaks or short circuits in the connectors.

If the problem cannot be resolved, please contact the ASTRO customer service.

Maintenance and repair

ACHTUNG: *The following safety information must be observed when performing maintenance and repair work. Failure to observe this safety information may result in personal injury due to electrical and thermal dangers!*

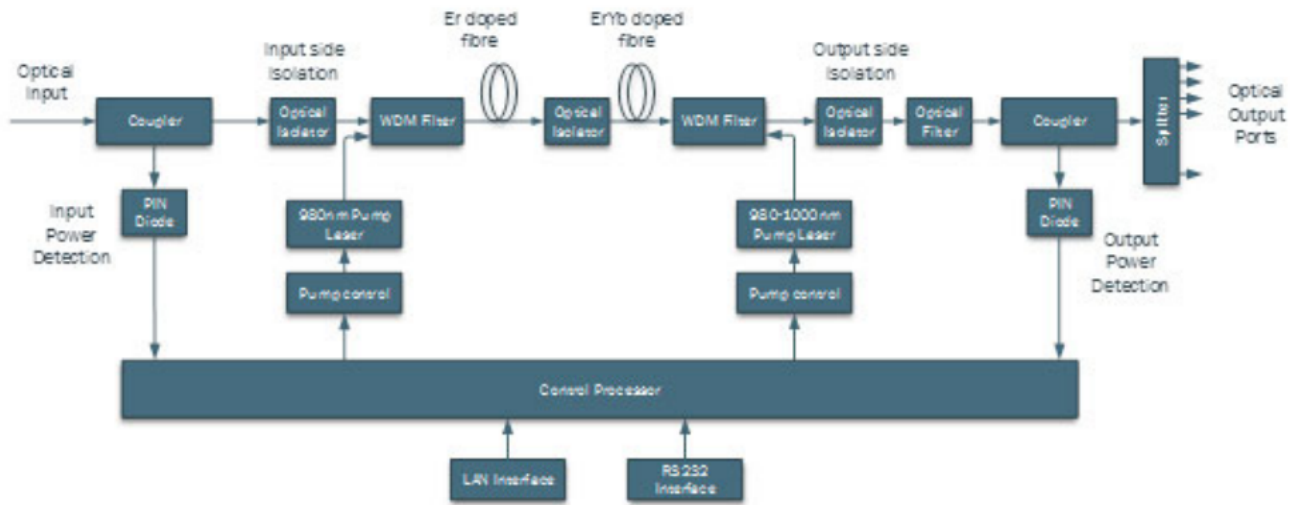


- The operating display only shows whether the DC current, which supplies the device components, has been disconnected from the mains voltage. If the operating display (for the power supply unit or the device) does not light up, this does not mean that the device has been fully disconnected from the mains voltage. There may still be voltages in the device that are dangerous to touch. You may therefore not open the device.
- The cover for the power supply unit is designed to prevent accidental contact with voltages that are dangerous to touch, and must not be removed.
- Read carefully: EN 60728 - Part 1 Safety requirements: No service work during thunderstorms.
- A defective device may only be repaired by the manufacturer to ensure that components with the original specification are used (e.g. power cable, fuse). Improperly performed repairs may result in considerable dangers for the user or installer. If malfunctions occur, the device must therefore be disconnected from the mains and authorised experts must be consulted. The device may need to be sent to the manufacturer.

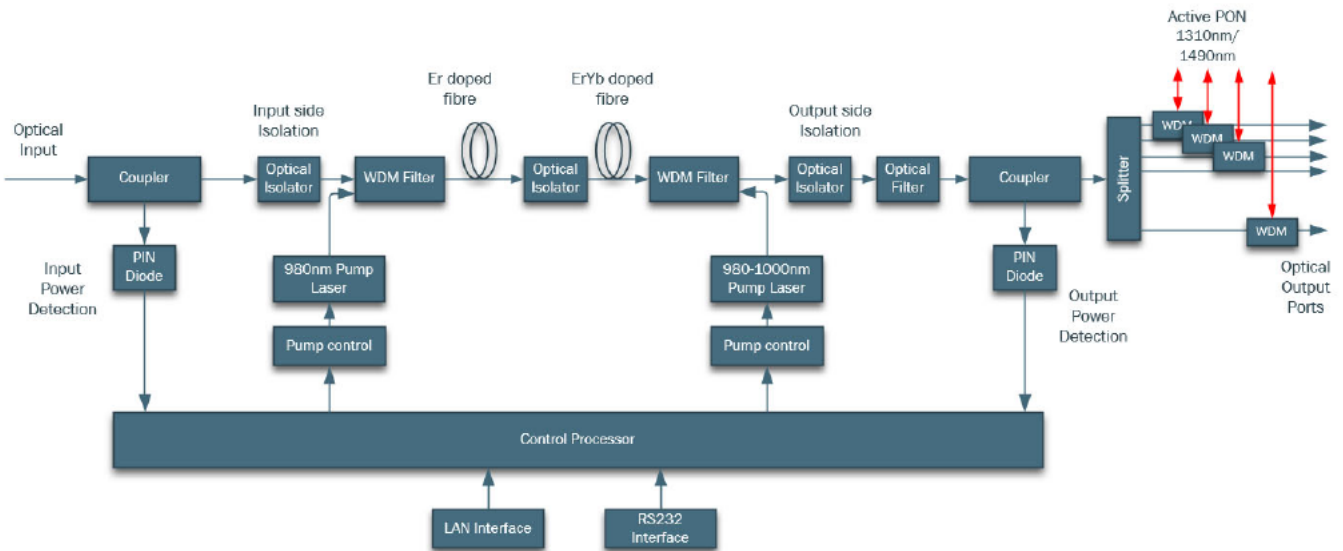
Service tasks

HINWEIS: *The device must only be operated with the original power module!*

Block diagram



WDM version:



Technical data

Type	OHPA-04200	OHPA-08200	OHPA-16170	OHPA-16200	OHPA-16210	OHPA-32160	OHPA-32170	OHPA-32190
	AC	AC	AC	AC	AC	AC	AC	AC
Order number	212 023	212 024	212 025	212 026	212 073	212 027	212 034	212 028
EAN-Code 4026187...	193157	193164	193171	193188	196134	193195	194208	193201
Power supply	2 Hot Plug AC							

Type	OHPA-04200	OHPA-08200	OHPA-16170	OHPA-16200	OHPA-16210	OHPA-32160	OHPA-32170	OHPA-32190
	DC	DC	DC	DC	DC	DC	DC	DC
Order number	212 068	212 069	212 071	212 072	212 074	212 075	212 038	212 077
EAN-Code 4026187...	196097	196103	196110	196127	196141	196158	194383	196172
Power supply	2 Hot Plug DC							

RF and optical characteristics									
Optical output power (P _{tot})	[dBm]	+20,0 ± 0,5	+20,0 ± 0,5	+17,0 ± 0,5	+20,0 ± 0,5	+21,0 ± 0,5	+16,0 ± 0,5	+17,0 ± 0,5	+19,0 ± 0,5
Number of optical output ports		4	8	16	16	16	32	32	32
Optical connector type		SC/APC	SC/APC	SC/APC	SC/APC	SC/APC	Input: SC/APC Output: LC/APC oder SC/APC	Input: SC/APC Output: LC/APC oder SC/APC	Input: SC/APC Output: LC/APC oder SC/APC
Optical input wavelength	[nm]	1550 ± 15							
Rated optical input power range	[dBm]	-3... +10 (details see order information)							
Output power variation	[dB]	± 0,5							
Noise figure (P _{in} = 0 dBm, λ = 1550 nm)	[dB]	≤ 5							
Return loss at input	[dB]	≥ 45							
Return loss output	[dB]	≥ 45							
Optical output adjustable range	[dB]	-3 .. 0							
Laser switch off/on		by key lock on front for installation purposes							

Common data									
Management		SNMP and web interface							
Chassis type		1 RU, 19" rack mounted						2 RU, 19" rack mounted	
Power supply	[pcs]	2 hot plug / AC or DC							
AC Power supply	[VAC]	150 - 265							
DC Power supply	[VDC]	-36 .. 72 (on request)							
Power consumption	[W]	≤ 60							
Dimensions (W x H x D)	[mm]	483 x 44 x 380 (1 RU)						483 x 88 x 380 (2 RU)	
Ambient temperature	[°C]	-10 .. +45							
Maximum operating humidity	[%]	95% no condensing							
Storage temperature range	[°C]	-30 .. +75							
Maximum storage humidity	[%]	95% no condensing							

Type	OHPA-08190-WDM AC	OHPA-16170-WDM AC	OHPA-16190-WDM AC	OHPA-32190-WDM AC	OHPA-32210-WDM AC	OHPA-64170-WDM AC
Order number	212 029	212 087	212 032	212 045	212 094	212 096
EAN-Code 4026187...	193218	196363	193225	196301	196325	196343
Power supply	2 hot plug AC					

Type	OHPA-08190-WDM DC	OHPA-16170-WDM DC	OHPA-16190-WDM DC	OHPA-32190-WDM DC	OHPA-32210-WDM DC	OHPA-64170-WDM DC
Order number	212 086	212 088	212 089	212 093	212 095	212 097
EAN-Code 4026187...	196257	196264	196271	196318	196332	196356
Power supply	2 hot plug DC					

RF and optical characteristics							
Optical output power (P _{tot})	[dBm]	+19,0 ± 0,5	+17 ± 0,5	+19,0 ± 0,5	+17 ± 0,5	+ 21 ± 0,5	+17 ± 0,7
Number of optical output ports		8 PON + 8 COM	16 PON + 16 COM	16 PON + 16 COM	32 PON + 32 COM	32 PON + 32 COM	64 PON + 64 COM
Optical connector type		Input: SC/APC (G)PON: LC/PC COM: LC/APC					
GPON wavelengths (GPON / XG-PON / XGS-PON / NG-PON)	[nm]	1260-1360, 1480-1500, 1575-1581, 1610-1660					
Optical input wavelength for RF	[nm]	1550 ± 15					
Rated optical input power range	[dBm]	-3... +10					
Noise figure (P _{in} = 0 dBm, λ = 1550 nm)	[dB]	≤ 5					
Return loss at input	[dB]	≥ 45					
Return loss output	[dB]	≥ 45					
Optical output adjustable range	[dB]	-3 .. 0					
Laser switch off/on		by key lock on front for installation purposes					

Common data							
Management		SNMP and web interface					
Chassis type		1 RU, 19" rack mounted	2 RU, 19" rack mounted				
AC Power supply	[VAC]	150 - 265					
DC Power supply	[VDC]	-36 .. 72 (on request)					
Power consumption	[W]	≤ 60					
Dimensions (W x H x D)	[mm]	483 x 44 x 380 (1 RU) 483 x 88 x 380 (2 RU)					
Ambient temperature	[°C]	-10 .. +45					
Maximum operating humidity	[%]	95% no condensing					
Storage temperature range	[°C]	-30 .. +75					
Maximum storage humidity	[%]	95% no condensing					

other types on request



ASTRO Strobel Kommunikationssysteme GmbH

© 2017 ASTRO

Subject to change.

Change management and copyright:

This document contains information protected by copyright. It is prohibited to photocopy, duplicate, translate or store on data storage media this document, either partially or in full, without prior agreement of the ASTRO company.

These operating instructions have been written by:

ASTRO Bit GmbH

Olefant 1-3, D-51427 Bergisch Gladbach (Bensberg)

Tel.: 02204/405-0, Fax: 02204/405-10

eMail: kontakt@astro.kom.de

Internet: www.astro-kom.de

All the information contained in this document has been checked in good faith. The ASTRO company cannot be held liable for any damage or injury arising in connection with the use of these operating instructions.